

Brake Discs & Hubs

For industrial, off-highway stopping or parking needs - web tensioning too!



FEATURES

- 1010 Steel • Flat to within .010 inches • Blanchard ground to an 80 RMS micro-inch finish
- Stress-relieved for even braking • Hubs machined from solid, cold rolled steel • Rated up to 300° F.
- Use with W.C. Branham Inc. 38/47/200 series caliper disc brakes and other manufacturers' • 5 disc dia. std • Most available from stock • OEM special orders welcome

Blank Discs

Machined Discs

Fixed Disc/Hub Assemblies

W.C. BRANHAM INC.

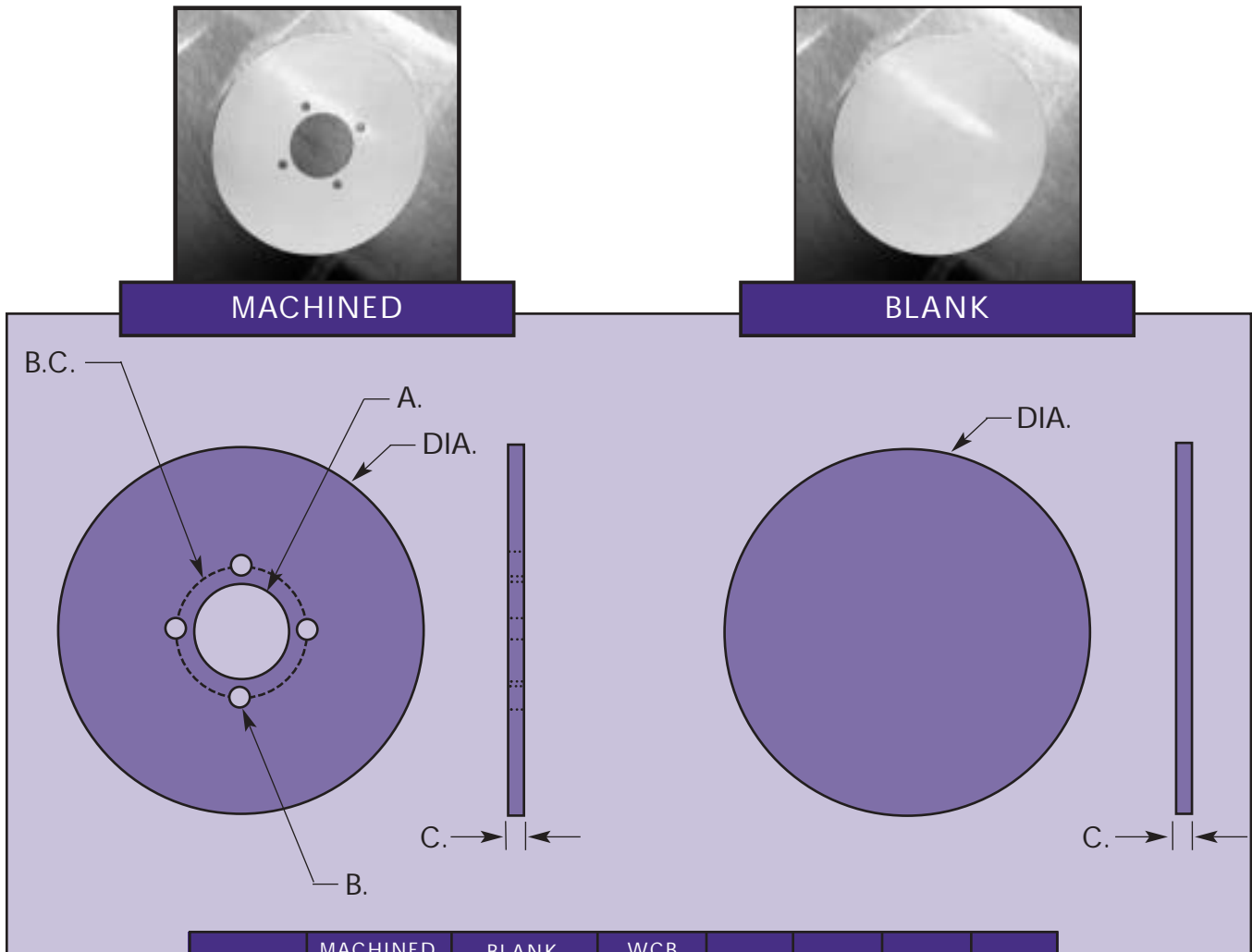
SOLUTIONS IN MOTION

398 TROY STREET • RIVER FALLS, WI 54022

TELE +1.715.426.2000 • FAX +1.715.426.1400

www.wcbranham.com • wcbassist@wcbranham.com

Use with W.C. Branham Inc. 38/47/200 series caliper disc brakes and brakes made by other manufacturers. Most in stock. Specials welcome.



DISC DIA.	MACHINED DISC P/N	BLANK DISC P/N	WCB SPACER OPTION	"A"	"B"	"C"	"B.C."
6 5/16	4801-1206	4801-1200	A	1.376	.265	.156	1.812
8	4802-1208	4802-1200	A	2.375	.328	.156	3.125
10	4803-1210	4803-1200	A	2.375	.328	.156	3.125
12	4804-1212	4804-1200	A	3.750	.391	.156	4.500
16	4805-1216	4805-1200	B	3.750	.391	.250	4.500

- Pilot Hole "A" tolerances + .010/- .000
- Bolt Hole "B" tolerances +/- .010

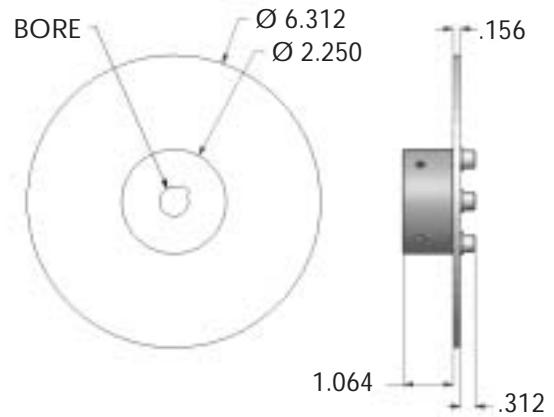
For best service life do not exceed disc temperature of 300° F



S O L U T I O N S I N M O T I O N

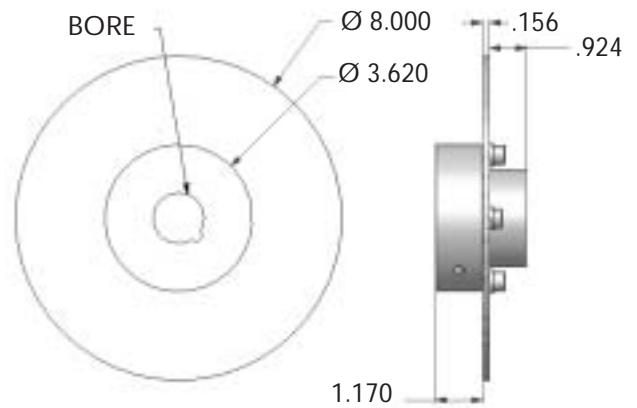
6 5/16" DISC DIAMETER

MODEL NO.	BORE	KEY SIZE	SPACER ¹
4801-0008	1/2	1/8 x 1/8	A
4801-0010	5/8	3/16 x 3/16	A
4801-0012	3/4	3/16 x 3/16	A
4801-0014	7/8	3/16 x 3/16	A
4801-0016	1	1/4 x 1/4	A



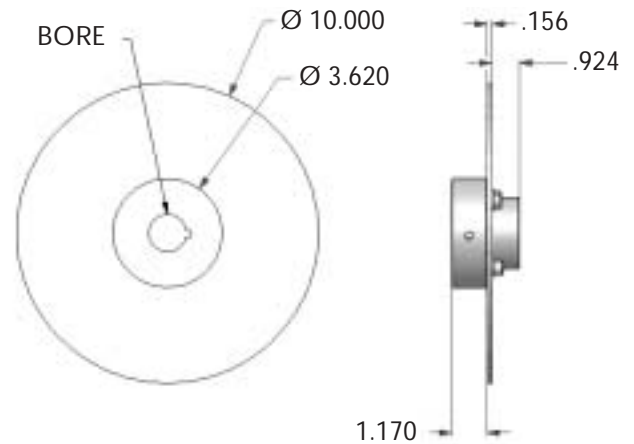
8" DISC DIAMETER

MODEL NO.	BORE	KEY SIZE	SPACER ¹
4802-0016	1	1/4 x 1/4	A
4802-0018	1-1/8	1/4 x 1/4	A
4802-0020	1-1/4	1/4 x 1/4	A
4802-0022	1-3/8	5/16 x 5/16	A
4802-0024	1-1/2	3/8 x 3/8	A
4802-0026	1-5/8	3/8 x 3/8	A
4802-0028	1-3/4	3/8 x 3/8	A



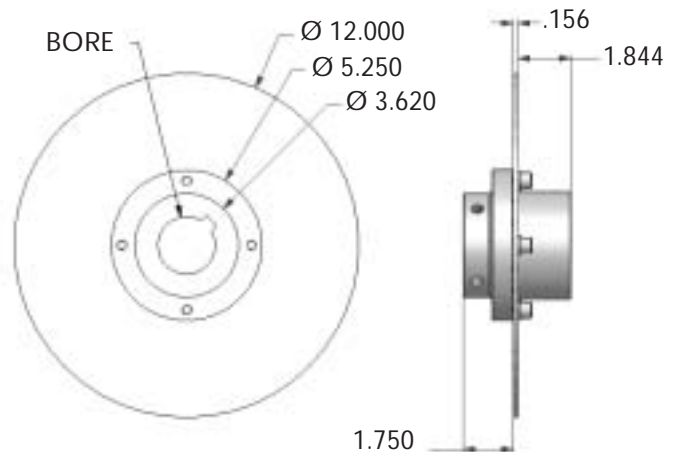
10" DISC DIAMETER

MODEL NO.	BORE	KEY SIZE	SPACER ¹
4803-0014	7/8	1/4 x 1/4	A
4803-0016	1	1/4 x 1/4	A
4803-0018	1-1/8	1/4 x 1/4	A
4803-0020	1-1/4	1/4 x 1/4	A
4803-0022	1-3/8	5/16 x 5/16	A
4803-0024	1-1/2	3/8 x 3/8	A
4803-0026	1-5/8	3/8 x 3/8	A
4803-0028	1-3/4	3/8 x 3/8	A



12" DISC DIAMETER

MODEL NO.	BORE	KEY SIZE	SPACER ¹
4804-0024	1-1/2	3/8 x 3/8	A
4804-0028	1-3/4	3/8 x 3/8	A
4804-0032	2	1/2 x 1/2	A
4804-0036	2-1/4	1/2 x 1/2	A
4804-0040	2-1/2	5/8 x 5/8	A

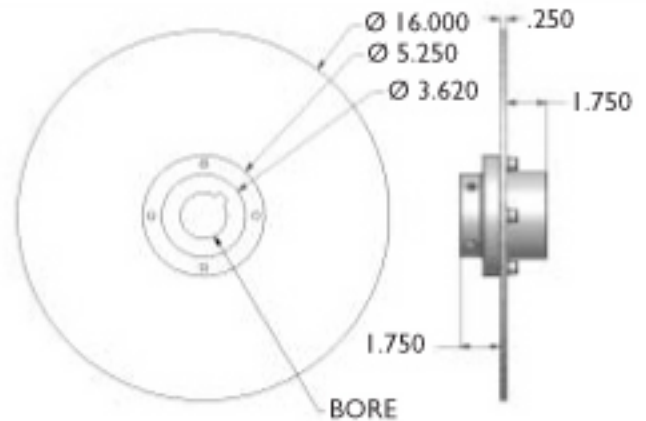


¹Spacer option for W.C. Branham Inc. caliper disc brakes.
Ex. Model P47SAF

16" DISC DIAMETER

MODEL NO.	BORE	KEY SIZE	SPACER ¹
4805-0024	1-1/2	3/8 x 3/8	B
4805-0028	1-3/4	3/8 x 3/8	B
4805-0032	2	1/2 x 1/2	B
4805-0036	2-1/4	1/2 x 1/2	B
4804-0040	2-1/2	5/8 x 5/8	B

¹Spacer option for W.C. Branham Inc. caliper disc brakes.
Ex. Model P47SBF



Hubs Only

6 5/16" DISCS

MODEL NO.	BORE	KEY SIZE
4801-4108	1-1/2	1/8 x 1/8
4801-4110	1-3/4	3/16 x 3/16
4801-4112	2	3/16 x 3/16
4801-4114	2-1/4	3/16 x 3/16
4801-4116	2-1/2	1/4 x 1/4



8" AND 10" DISCS

MODEL NO.	BORE	KEY SIZE
4802-4116	1	1/4 x 1/4
4802-4118	1-1/8	1/4 x 1/4
4802-4120	1-1/4	1/4 x 1/4
4802-4122	1-3/8	5/16 x 5/16
4802-4124	1-1/2	3/8 x 3/8
4802-4126	1-5/8	3/8 x 3/8
4802-4128	1-3/4	3/8 x 3/8

- Material 1215 CF • Black Oxide finish
- Bore tolerances + 0.002/- 0.000
- Keyway tolerances + 0.002/- 0.000

12" AND 16" DISCS

MODEL NO.	BORE	KEY SIZE
4804-4124	1-1/2	3/8 x 3/8
4804-4128	1-3/4	3/8 x 3/8
4804-4132	2	1/2 x 1/2
4804-4136	2.25	1/2 x 1/2
4804-4140	2.50	5/8 x 5/8

W.C. BRANHAM INC.

SOLUTIONS IN MOTION

398 TROY STREET • RIVER FALLS, WI 54022

TELE +1.715.426.2000 • FAX +1.715.426.1400

www.wcbranham.com • wcbassist@wcbranham.com

IMPORTANT NOTES: For best service life do not exceed disc temperature of 300° F. • Refer to W.C. Branham Inc. Caliper Disc Brake Catalog and Design Guide No. 9900-9020, for correct caliper disc brake and disc sizing. • Contact W.C. Branham Inc. - Application Sales for assistance.