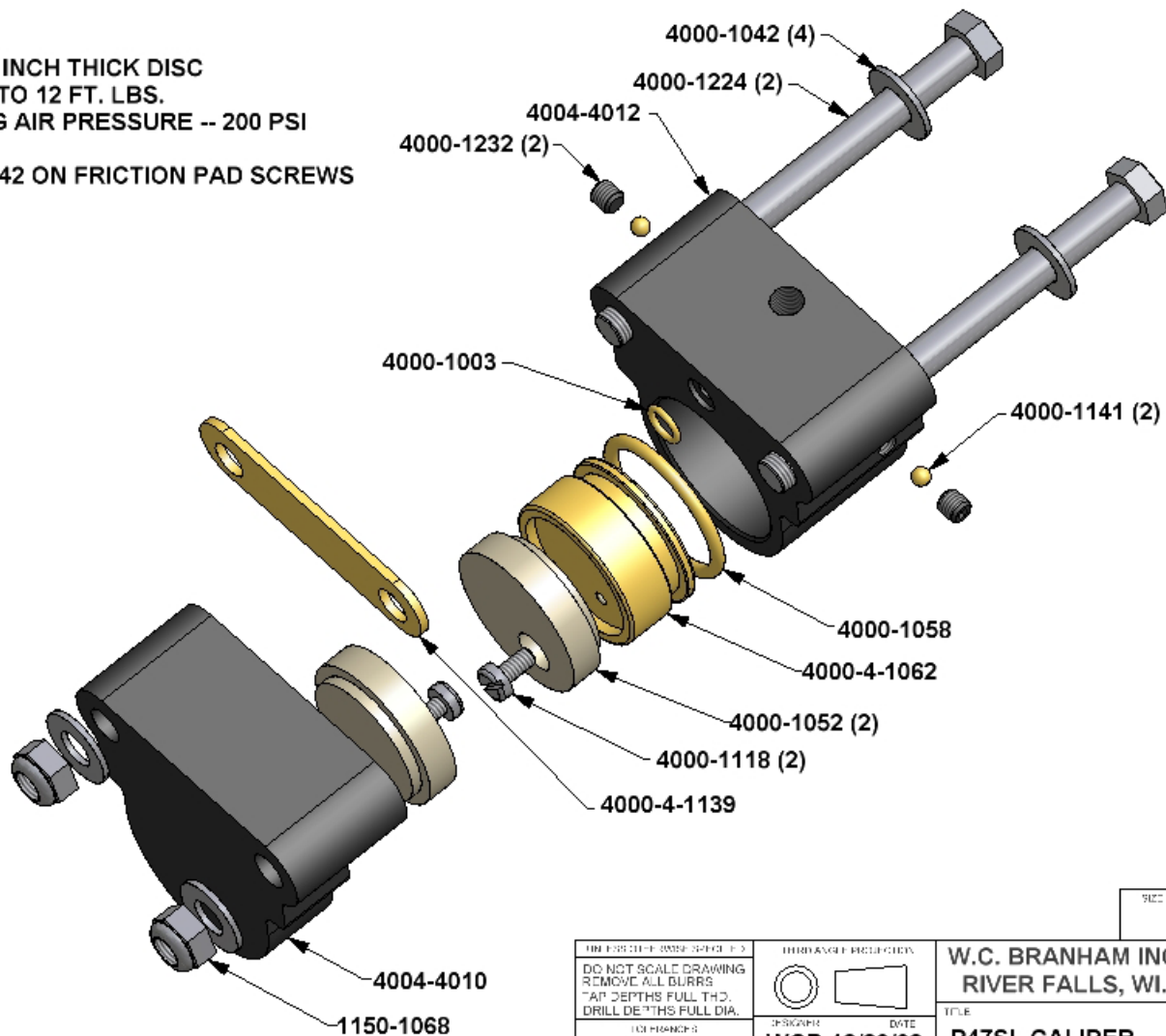


- * SPACER FOR 3/8 INCH THICK DISC
- * TORQUE BOLTS TO 12 FT. LBS.
- * MAX. OPERATING AIR PRESSURE -- 200 PSI
- * BUNA N SEALS
- * USE LOC-TITE #242 ON FRICTION PAD SCREWS



DR 130010-0000 (SPEC. P. 3)

DO NOT SCALE DRAWING
REMOVE ALL BURRS
*AP DEPTHS FULL THD.
DRILL DEPTHS FULL DIA.

LOC HANDED
2 PLACE +/- .010
3 PLACE +/- .005

EXTERNAL CLASS 2A
INTERNAL CLASS 2B

DR 130010-0000 (SPEC. P. 3)



INSPECTOR
DATE
O-CHECKER
DATE

SCALE
CLASS

W.C. BRANHAM INC.
RIVER FALLS, WI.

TITLE
P47SL CALIPER

DRAWING NO.
4004-0038

SIZE

REVISION