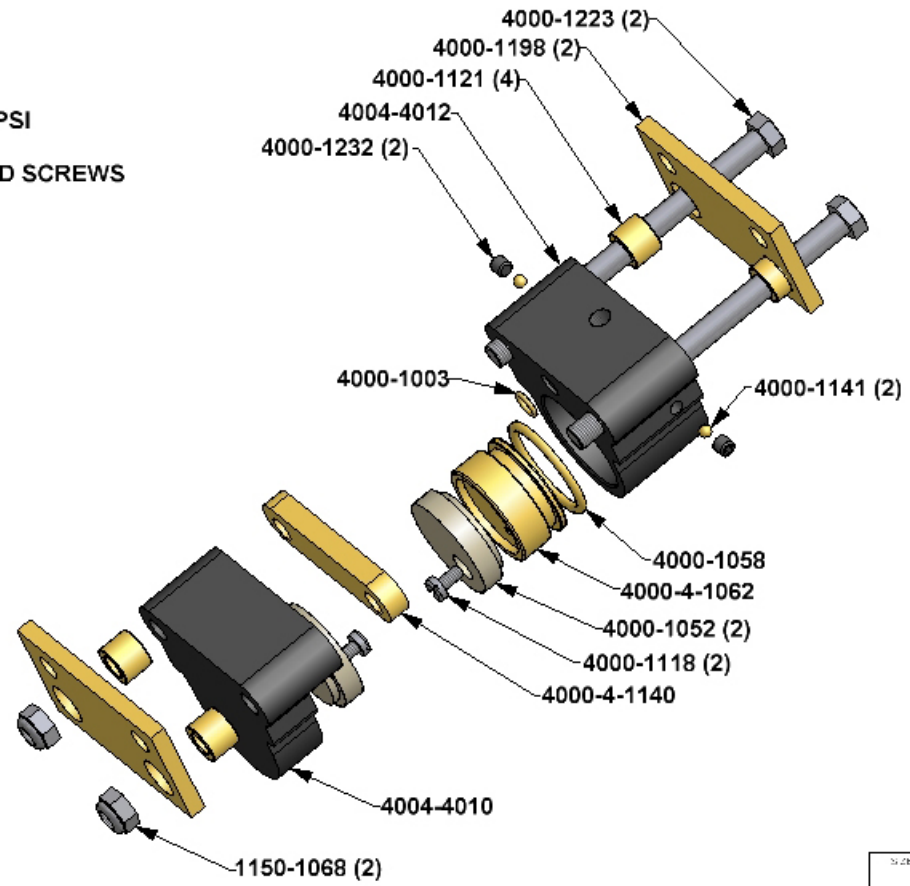


- * SPACER FOR 1/2 INCH THICK DISC
- * TORQUE BOLTS TO 12 FT. LBS.
- * MAX. OPERATING PRESSURE -- 200 PSI
- * BUNA N SEALS
- * USE LOC-TITE #242 ON FRICTION PAD SCREWS



UNLESS OTHERWISE SPECIFIED DO NOT SCALE DRAWING REMOVE ALL BURRS TAP DEPTHS FULL THD. DRILL DEPTHS FULL DIA.	THIRD ANGLE PROJECTION 	W.C. BRANHAM INC. RIVER FALLS, WI.
	DATE WCB 12/02/02	TITLE P47SEF CALIPER
QTY. UNITS 7 P. ACH. 4004-010 3 PLACE 1150-1068	CHECKER DATE	DRAWING NO. 4004-0043
TOLERANCES EXTERNAL CLASS 2A INTERNAL CLASS 2B	SCALE CLASS	REVISION