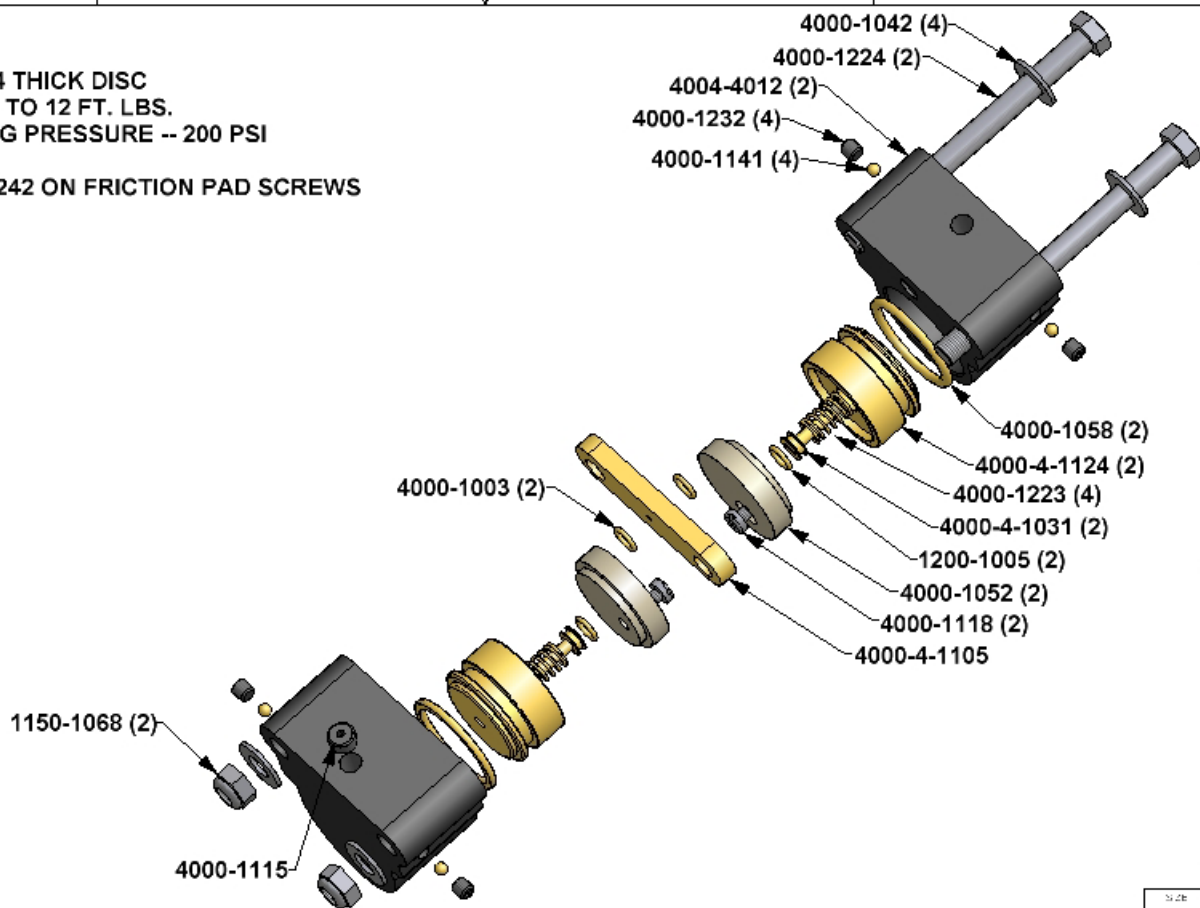


- * SPACER FOR 1/4 THICK DISC
- * TORQUE BOLTS TO 12 FT. LBS.
- * MAX. OPERATING PRESSURE -- 200 PSI
- * BUNA N SEALS
- * USE LOC-TITE #242 ON FRICTION PAD SCREWS



UNLESS OTHERWISE SPECIFIED DO NOT SCALE DRAWING REMOVE ALL BURRS TAP DEPTHS FULL THD. DRILL DEPTHS FULL DIA.	THIRD ANGLE PROJECTION 	W.C. BRANHAM INC. RIVER FALLS, WI.
CD. DIMENSIONS 2 P. ACH. ±.010 S PLACE ±.005	DRAWN DATE WCB 12/02/02	TITLE P47DBR CALIPER
EXTERNAL CLASS 2A INTERNAL CLASS 2B	CHECKER DATE	REVISION
	SCALE	4004-0061
	CLASS	