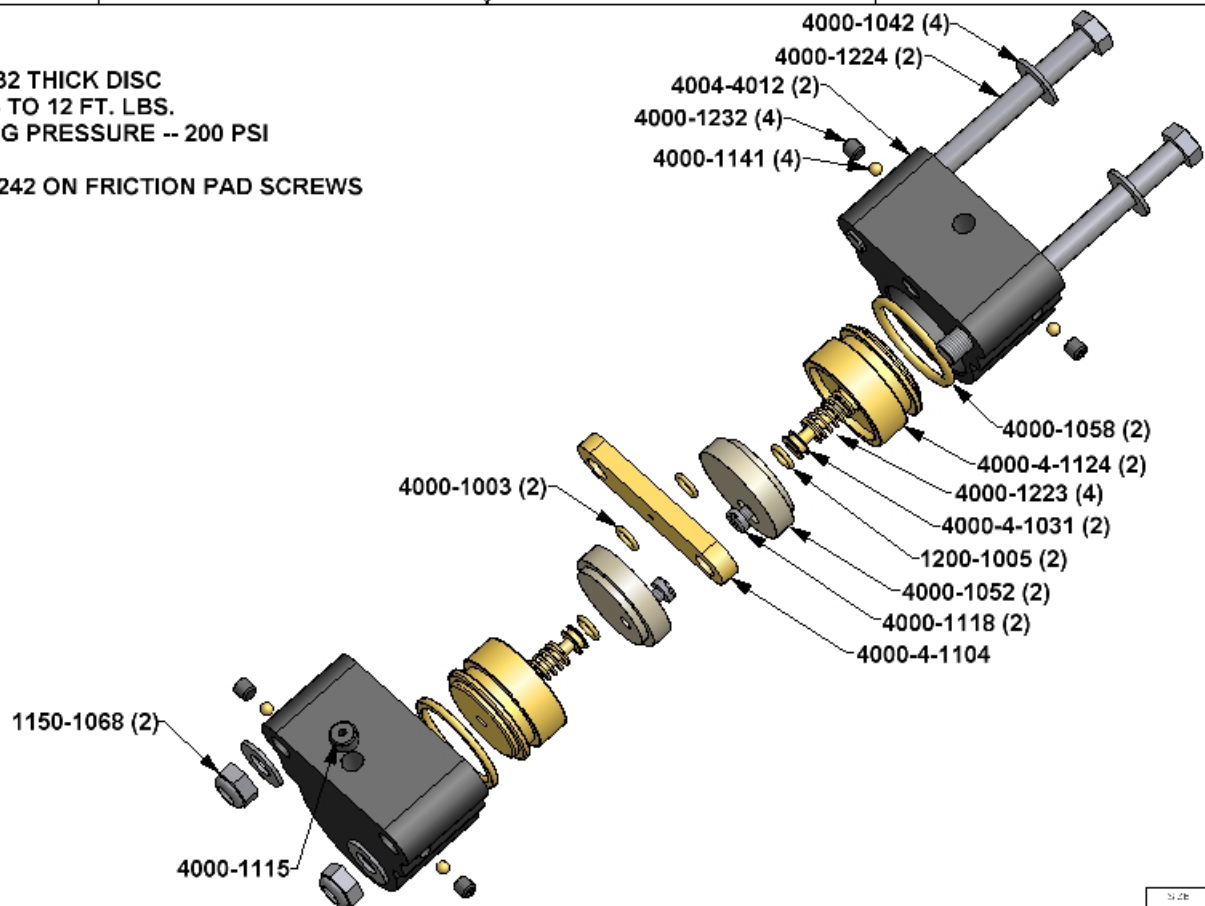


- \* SPACER FOR 5/32 THICK DISC
- \* TORQUE BOLTS TO 12 FT. LBS.
- \* MAX. OPERATING PRESSURE -- 200 PSI
- \* BUNA N SEALS
- \* USE LOC-TITE #242 ON FRICTION PAD SCREWS



UNLESS OTHERWISE SPECIFIED  
DO NOT SCALE DRAWING  
REMOVE ALL BURRS  
TAP DEPTHS FULL THD.  
DRILL DEPTHS FULL DIA.

Q1 DIMENSION  
2 P. ACQ. 44.010  
5 PLACE --.005

FINISH:  
EXTERNAL CLASS 2A  
INTERNAL CLASS 2B

THIRD ANGLE PROJECTION



DATE  
**WCB 12/02/02**

CHECKER  
SCALE  
CLASS

W.C. BRANHAM INC.  
RIVER FALLS, WI.

TITLE  
**P47DAR CALIPER**

REVISION  
**4004-0060**