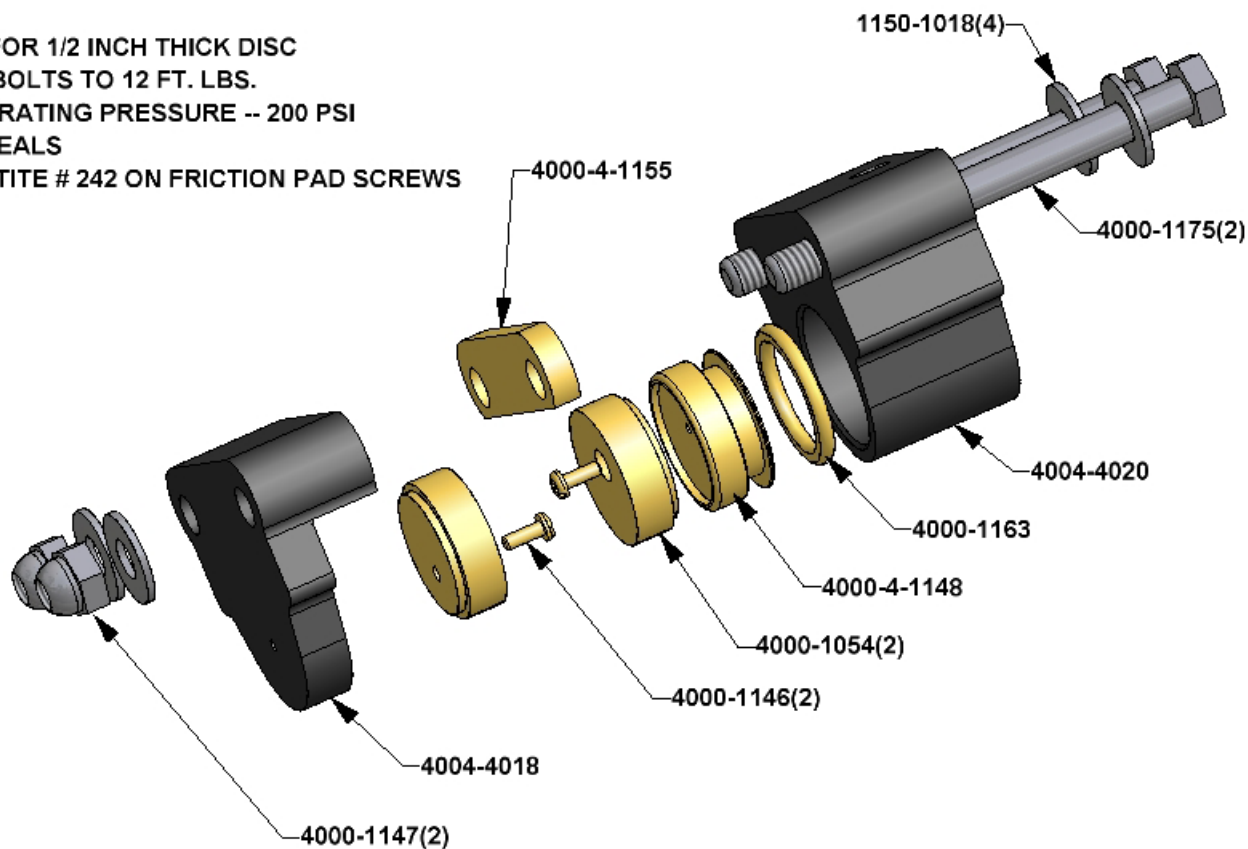


- * SPACER FOR 1/2 INCH THICK DISC
- * TORQUE BOLTS TO 12 FT. LBS.
- * MAX. OPERATING PRESSURE -- 200 PSI
- * BUNA N SEALS
- * USE LOC-TITE # 242 ON FRICTION PAD SCREWS



UNLESS OTHERWISE SPECIFIED		T-IRSD ANGLE PROJECTION		W.C. BRANHAM INC. RIVER FALLS, WI.	
DO NOT SCALE DRAWING REMOVE ALL BURRS TAP DEPTHS FULL 1 THD. DRILL DEPTHS FULL DIA.					
TOLERANCES 2 PLACE $\pm .010$ 3 PLACE $\pm .005$		DES. CHG. (11-11) WCB 12/01/02 CHECKER DATE		TITLE P38SE CALIPER	
FINISH: EXTERNAL CLASS 2A INTERNAL CLASS 2B		SCALE DRAWN		DRAWING NO. 4004-0722	

SIZE
C