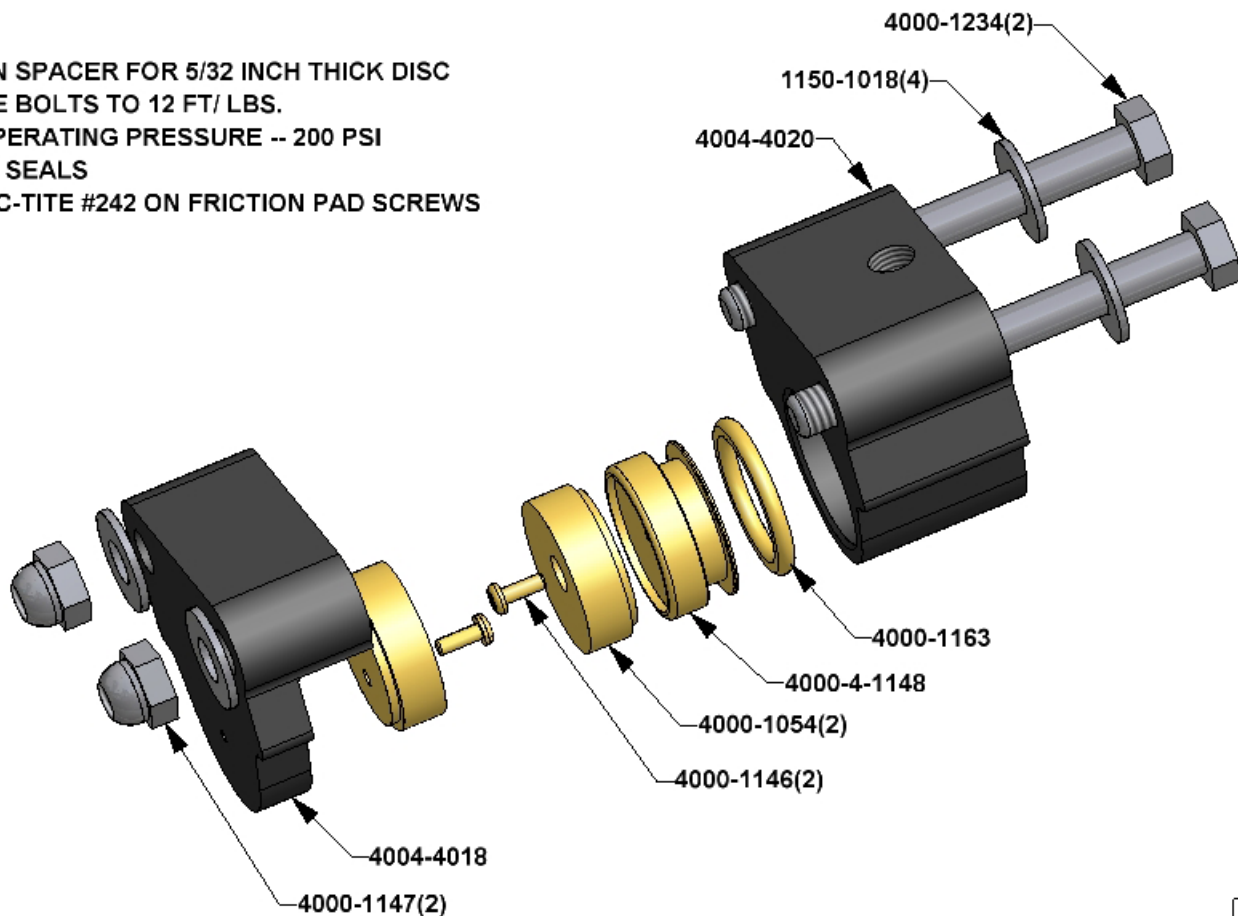


- * BUILT-IN SPACER FOR 5/32 INCH THICK DISC
- * TORQUE BOLTS TO 12 FT/ LBS.
- * MAX. OPERATING PRESSURE -- 200 PSI
- * BUNA N SEALS
- * USE LOC-TITE #242 ON FRICTION PAD SCREWS



SIZE
C

UNLESS OTHERWISE SPECIFIED	THIRD ANGLE PROJECTION	W.C. BRANHAM INC. RIVER FALLS, WI.	
DO NOT SCALE DRAWING REMOVE ALL BURRS TAP DEPTHS FULL THD DRILL DEPTHS FULL DIA.		TITLE	P38SA CALIPER
TOLERANCES 2 PLACE +/- .010 3 PLACE +/- .005	DESIGNER WCB 12/01/02	DRAWING NO.	
1 MIN 2X EXTERNAL CLASS 2A INTERNAL CLASS 2B	CHECKER	DATE	11-REVISION
	SCALE		4004-0714
	CLASS		