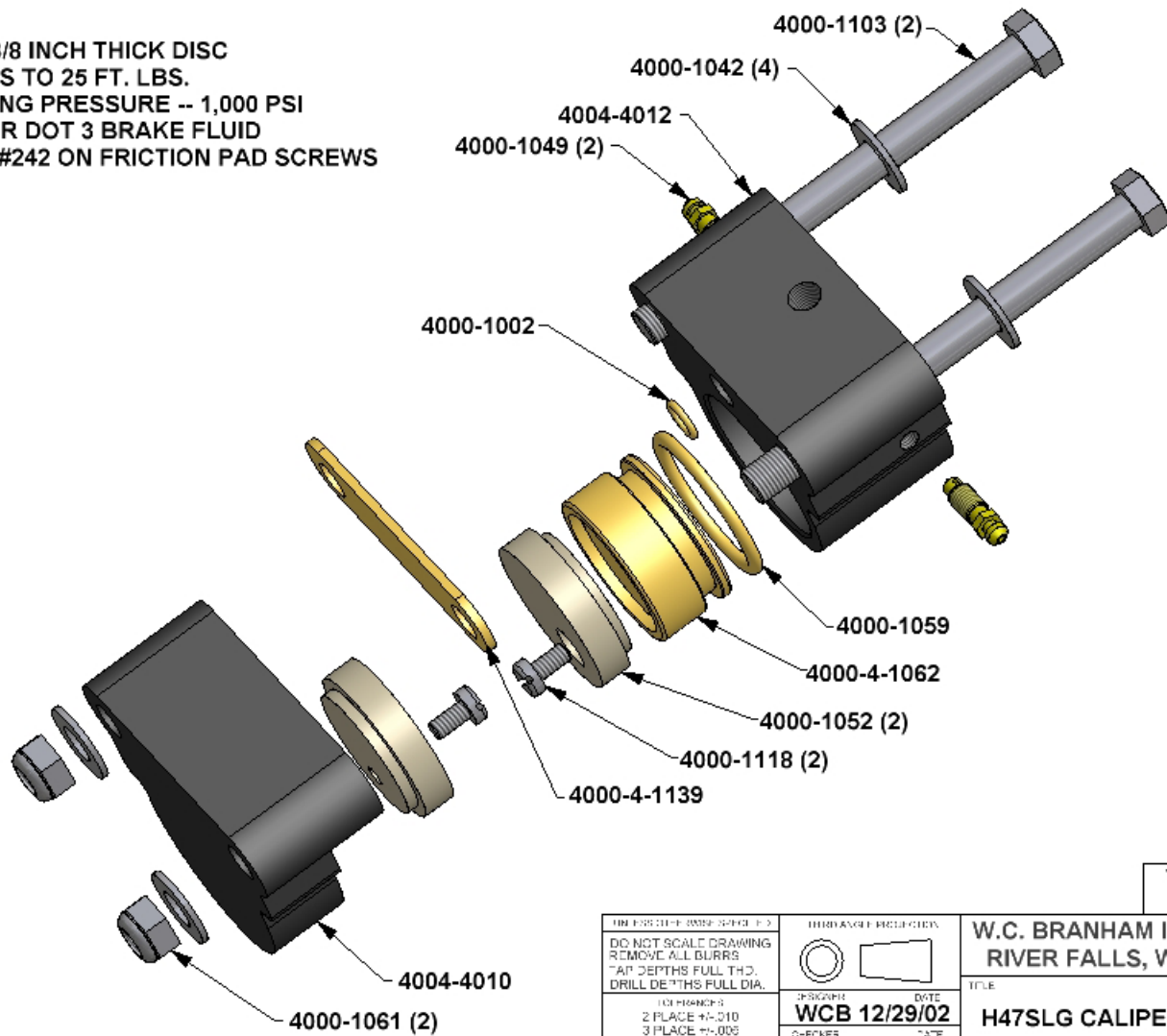


- \* SPACER FOR 3/8 INCH THICK DISC
- \* TORQUE BOLTS TO 25 FT. LBS.
- \* MAX. OPERATING PRESSURE -- 1,000 PSI
- \* EPR SEALS FOR DOT 3 BRAKE FLUID
- \* USE LOC-TITE #242 ON FRICTION PAD SCREWS



ON PROTECTIVE SURFACE DO NOT SCALE DRAWING REMOVE ALL BURRS TAP DEPTHS FULL THD. DRILL DEPTHS FULL DIA.	DIMENSIONAL TOLERANCES FRACTIONS DECIMALS 2 PLACE ±.010 3 PLACE ±.005	W.C. BRANHAM INC. RIVER FALLS, WI. TITLE <b>H47SLG CALIPER</b>	DATE <b>12/29/02</b>
EXTERNAL CLASS 2A INTERNAL CLASS 2B	SCALE CLASS	DRAWING NO. <b>4004-0086</b>	REVISION