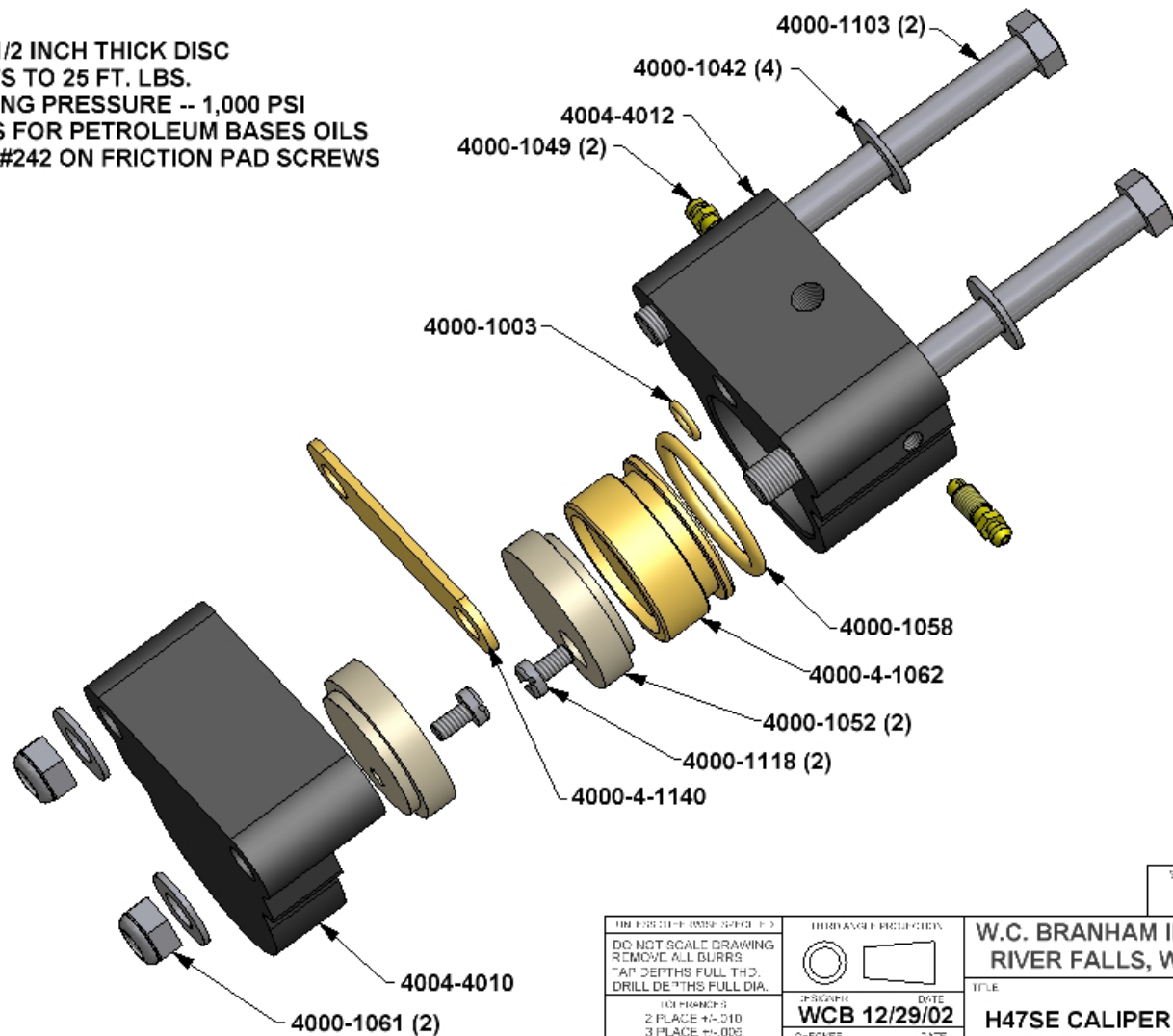


- * SPACER FOR 1/2 INCH THICK DISC
- * TORQUE BOLTS TO 25 FT. LBS.
- * MAX. OPERATING PRESSURE -- 1,000 PSI
- * BUNA N SEALS FOR PETROLEUM BASE OILS
- * USE LOC-TITE #242 ON FRICTION PAD SCREWS



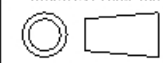
UNLESS OTHERWISE SPECIFIED

DO NOT SCALE DRAWING
REMOVE ALL BURRS
*AP DEPTHS FULL THD.
DRILL DEPTHS FULL DIA.

LOC FINISHES:
2 PLACE $+/- .010$
3 PLACE $+/- .005$

TYPICAL:
EXTERNAL CLASS 2A
INTERNAL CLASS 2B

STANDARD SYMBOLS



PROFILES: **WCB 12/29/02**
DATE
D-CHECKER DATE

SCALE
CLASS

W.C. BRANHAM INC.
RIVER FALLS, WI.

TITLE
H47SE CALIPER

DRAWING NO. **4004-0047**
REVISION