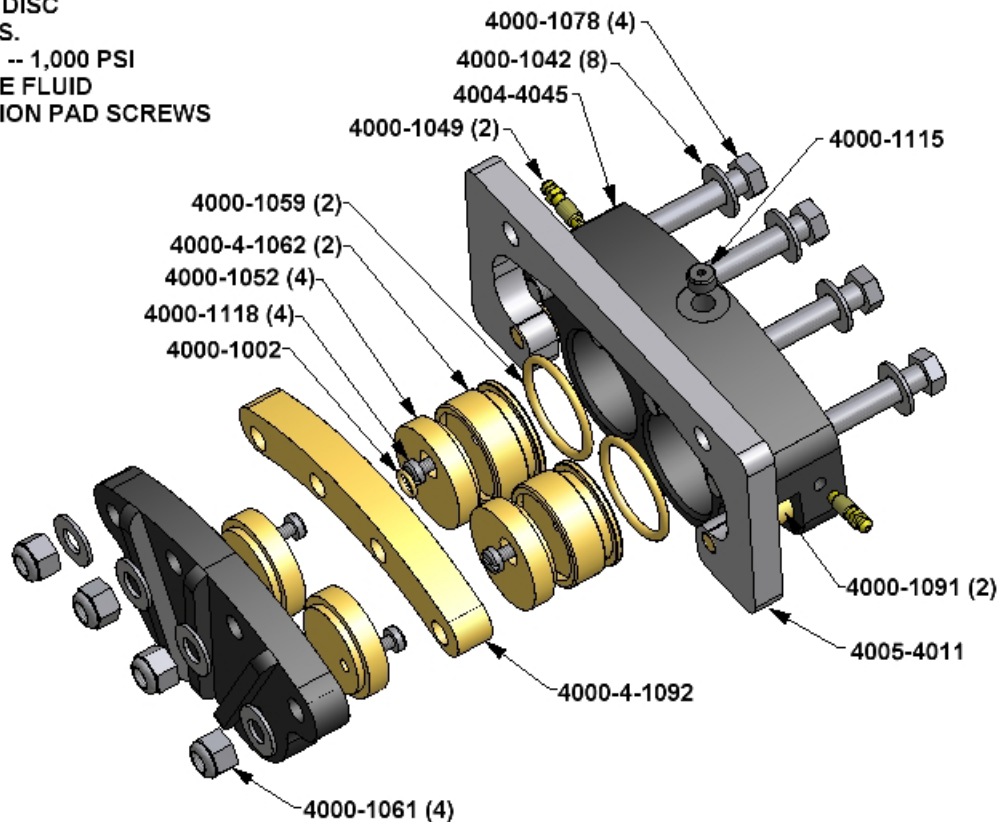


- \* SPACER FOR 3/8 INCH THICK DISC
- \* TORQUE BOLTS TO 25 FT. LBS.
- \* MAX. OPERATING PRESSURE -- 1,000 PSI
- \* EPR SEALS FOR DOT 3 BRAKE FLUID
- \* USE LOC-TITE #242 ON FRICTION PAD SCREWS



UNITED STATES SPECIFICATION  
 DO NOT SCALE DRAWING  
 REMOVE ALL BURRS  
 TAP DEPTHS FULL THD.  
 DRILL DEPTHS FULL D.A.

TOLERANCES  
 2 PLACE +/- .010  
 3 PLACE +/- .005  
 FINISHES  
 EXTERNAL CLASS 2A  
 INTERNAL CLASS 2B

THIRD ANGLE PROJECTION

DESIGNED BY DATE  
**WCB 11/21/02**  
 CHECKED BY DATE

W.C. BRANHAM INC.  
 RIVER FALLS, WI.  
 H200SLFG CALIPER  
 DRAWING NO. REVISION

SIZE