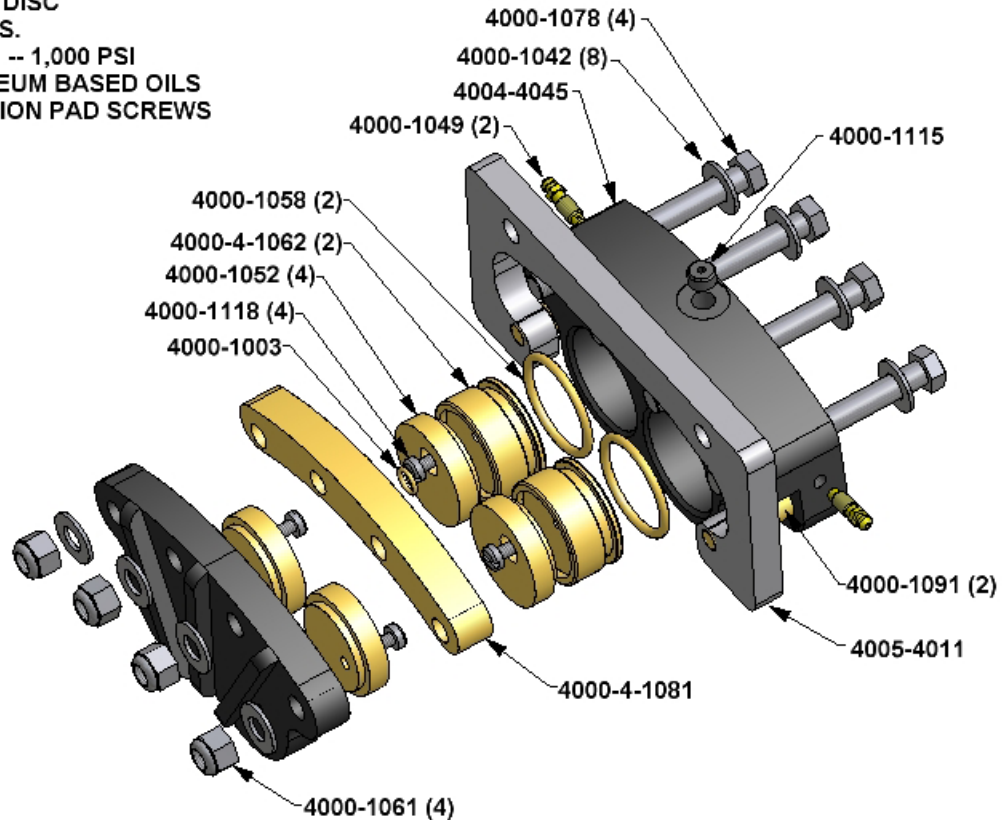


- * SPACER FOR 1/2 INCH THICK DISC
- * TORQUE BOLTS TO 25 FT. LBS.
- * MAX. OPERATING PRESSURE -- 1,000 PSI
- * BUNA N SEALS FOR PETROLEUM BASED OILS
- * USE LOC-TITE #242 ON FRICTION PAD SCREWS



UNITS OF MEASURE DO NOT SCALE DRAWING REMOVE ALL BURRS TAP DEPTHS FULL THD. DRILL DEPTHS FULL D.A.	THERMANGI PRODUCTION 	W.C. BRANHAM INC. RIVER FALLS, WI.
CLEARANCES 2 PLACE $\pm .010$ 3 PLACE $\pm .005$	DESIGNER WCB 11/21/02 DATE	H200SEF CALIPER
INTERNAL CLASS 2A INTERNAL CLASS 2B	DRAWING NO. 4004-0059	REVISION

SIZE