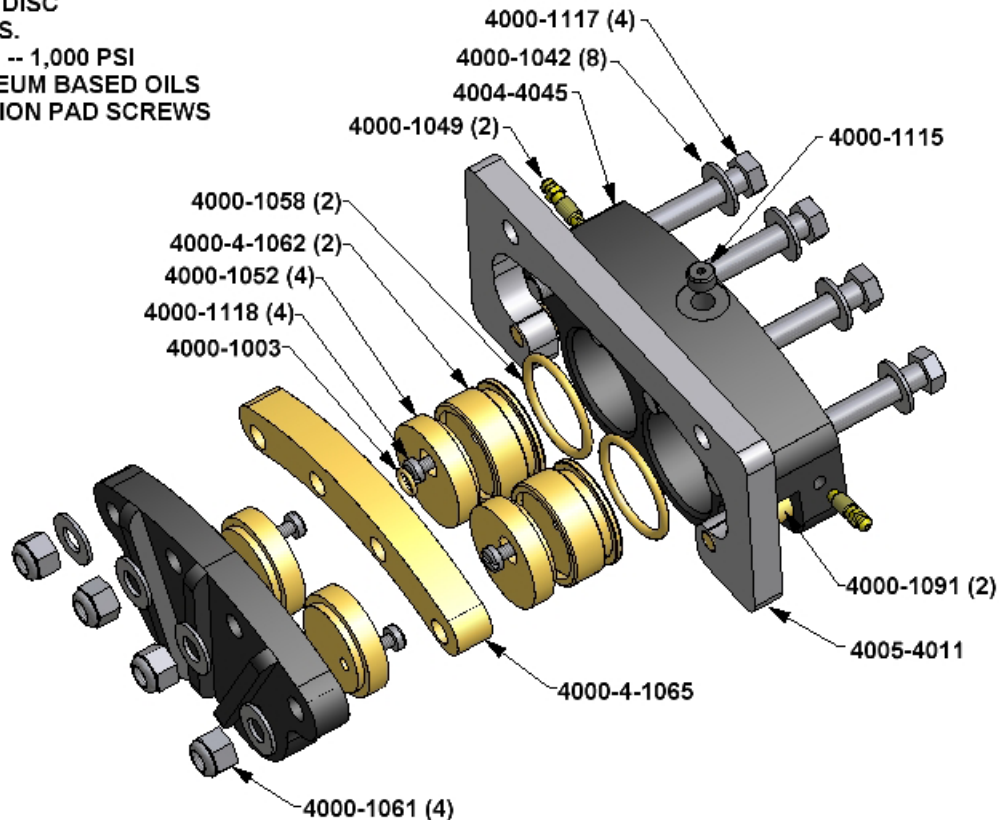



- \* SPACER FOR 1/4 INCH THICK DISC
- \* TORQUE BOLTS TO 25 FT. LBS.
- \* MAX. OPERATING PRESSURE -- 1,000 PSI
- \* BUNA N SEALS FOR PETROLEUM BASED OILS
- \* USE LOC-TITE #242 ON FRICTION PAD SCREWS



UNITS OF DRAWN SPECIFIED DO NOT SCALE DRAWING REMOVE ALL BURRS TAP DEPTHS FULL THD. DRILL DEPTHS FULL D.A.	THERMAGE PROTECTION 	<b>W.C. BRANHAM INC.</b> RIVER FALLS, WI.
TOLERANCES 2 PLACE $\pm .010$ 3 PLACE $\pm .005$	DESIGNER <b>WCB 11/21/02</b>	PART NO. <b>H200SBF CALIPER</b>
FINISHING EXTERNAL CLASS 2A INTERNAL CLASS 2B	CHECKER 	DRAWING I.C. <b>4004-0057</b>
	SCALE 	REVISION 