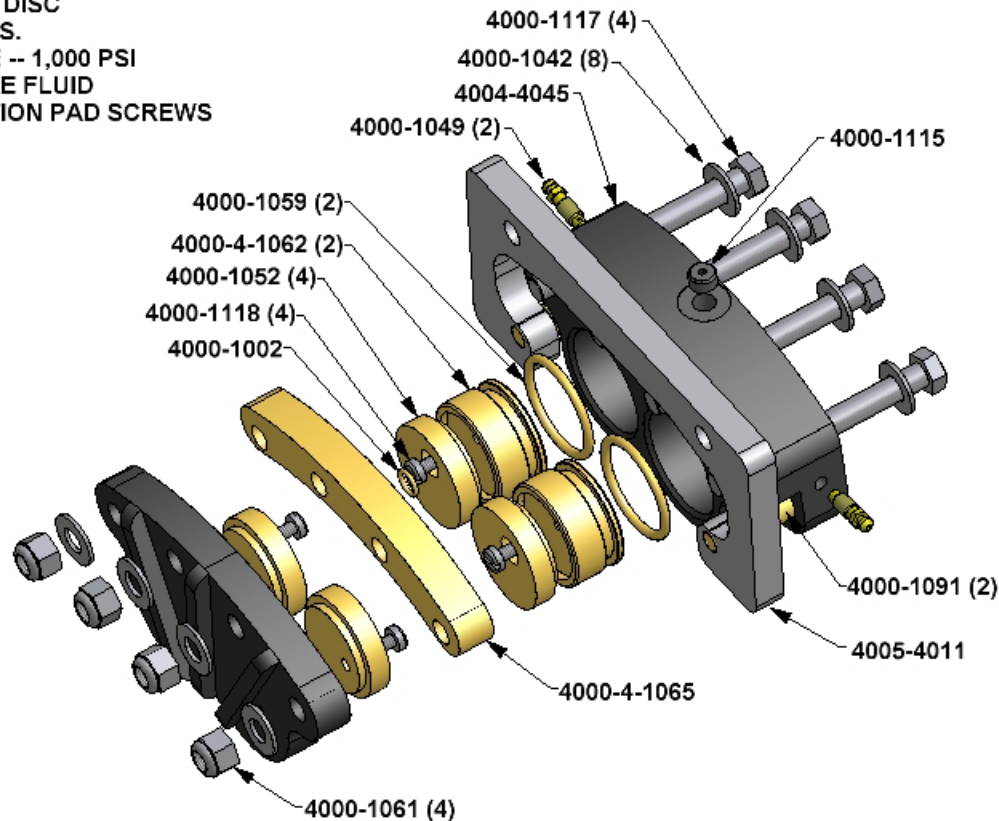


- * SPACER FOR 1/4 INCH THICK DISC
- * TORQUE BOLTS TO 25 FT. LBS.
- * MAX. OPERATING PRESSURE -- 1,000 PSI
- * EPR SEALS FOR DOT 3 BRAKE FLUID
- * USE LOC-TITE #242 ON FRICTION PAD SCREWS



SIZE

UNITED STATES SPECIFICATION
 DO NOT SCALE DRAWING
 REMOVE ALL BURRS
 TAP DEPTHS FULL THD.
 DRILL DEPTHS FULL D.A.

THIRD ANGLE PROJECTION



W.C. BRANHAM INC.
 RIVER FALLS, WI.

TOLERANCES
 2 PLACE ±.010
 3 PLACE ±.005

DESIGNED BY
WCB 11/21/02
 CHECKED BY

DATE
11/21/02
 TITLE
H200SBFG CALIPER

EXTERNAL CLASS 2A
 INTERNAL CLASS 2B

SCALE
 1:1
 11/21/02

DRAWING NO.
4004-0097
 REVISION