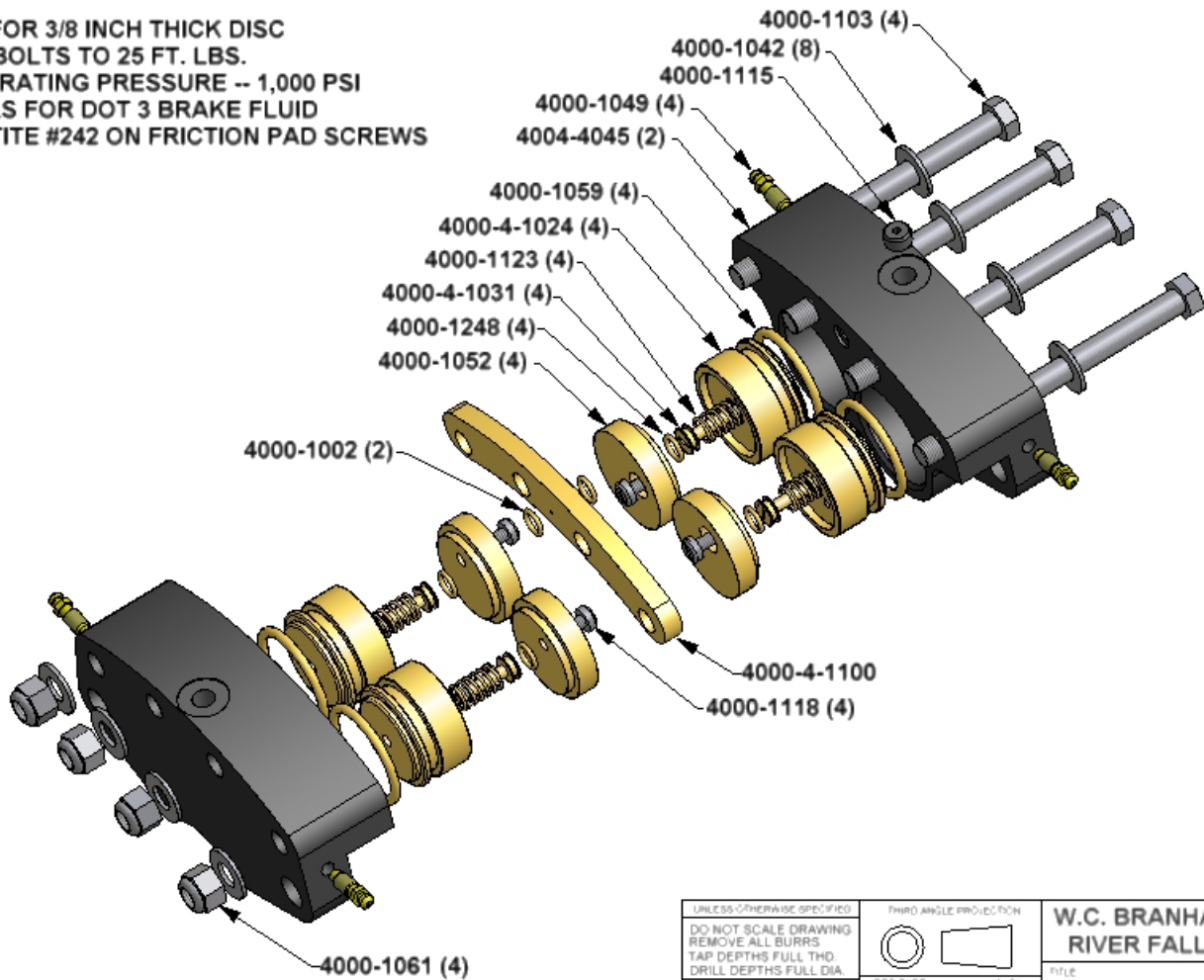


- * SPACER FOR 3/8 INCH THICK DISC
- * TORQUE BOLTS TO 25 FT. LBS.
- * MAX. OPERATING PRESSURE -- 1,000 PSI
- * EPR SEALS FOR DOT 3 BRAKE FLUID
- * USE LOCTITE #242 ON FRICTION PAD SCREWS



UNLESS OTHERWISE SPECIFIED	THIRD ANGLE PROJECTION	W.C. BRANHAM INC RIVER FALLS, WI.	
DO NOT SCALE DRAWING REMOVE ALL BURRS TAP DEPTHS FULL THD. DRILL DEPTHS FULL DIA.		TITLE	H200DLRG CALIPER
TOLERANCES 2 PLACE +/- .010 3 PLACE +/- .005	DESIGNER WCB 11/20/02	DATE	
THREADS EXTERNAL CLASS 2A INTERNAL CLASS 2B	CHECKER	DATE	
	SCALE	DRAWING NO.	4004-0110
	CLASS	REVISION	