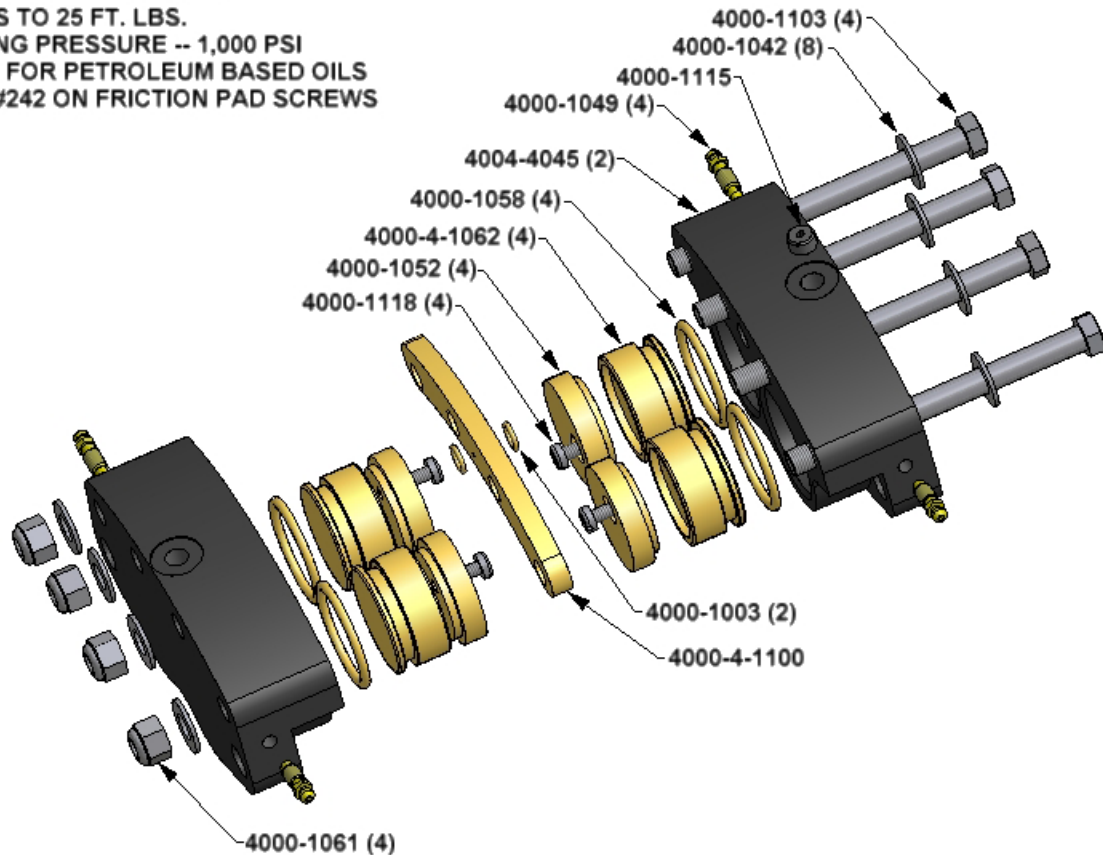


- * SPACER FOR 1/2 INCH THICK DISC
- * TORQUE BOLTS TO 25 FT. LBS.
- * MAX. OPERATING PRESSURE -- 1,000 PSI
- * BUNA N SEALS FOR PETROLEUM BASED OILS
- * USE LOC-TITE #242 ON FRICTION PAD SCREWS



UNLESS OTHERWISE SPECIFIED: DO NOT SCALE DRAWING REMOVE ALL BURRS TAP DEPTHS FULL THD DRILL DEPTHS FULL DIA.	THIRD ANGLE PROJECTION		W.C. BRANHAM INC. RIVER FALLS, WI.
	DESIGNER WCB	DATE 11/19/02	
TOLERANCES: 2 PLACE $\pm .010$ 3 PLACE $\pm .005$	CHECKER	DATE	DRAWING NO. 4004-0022
FINISHES: EXTERNAL CLASS 2A INTERNAL CLASS 2B	SCALE	CLASS	REVISION