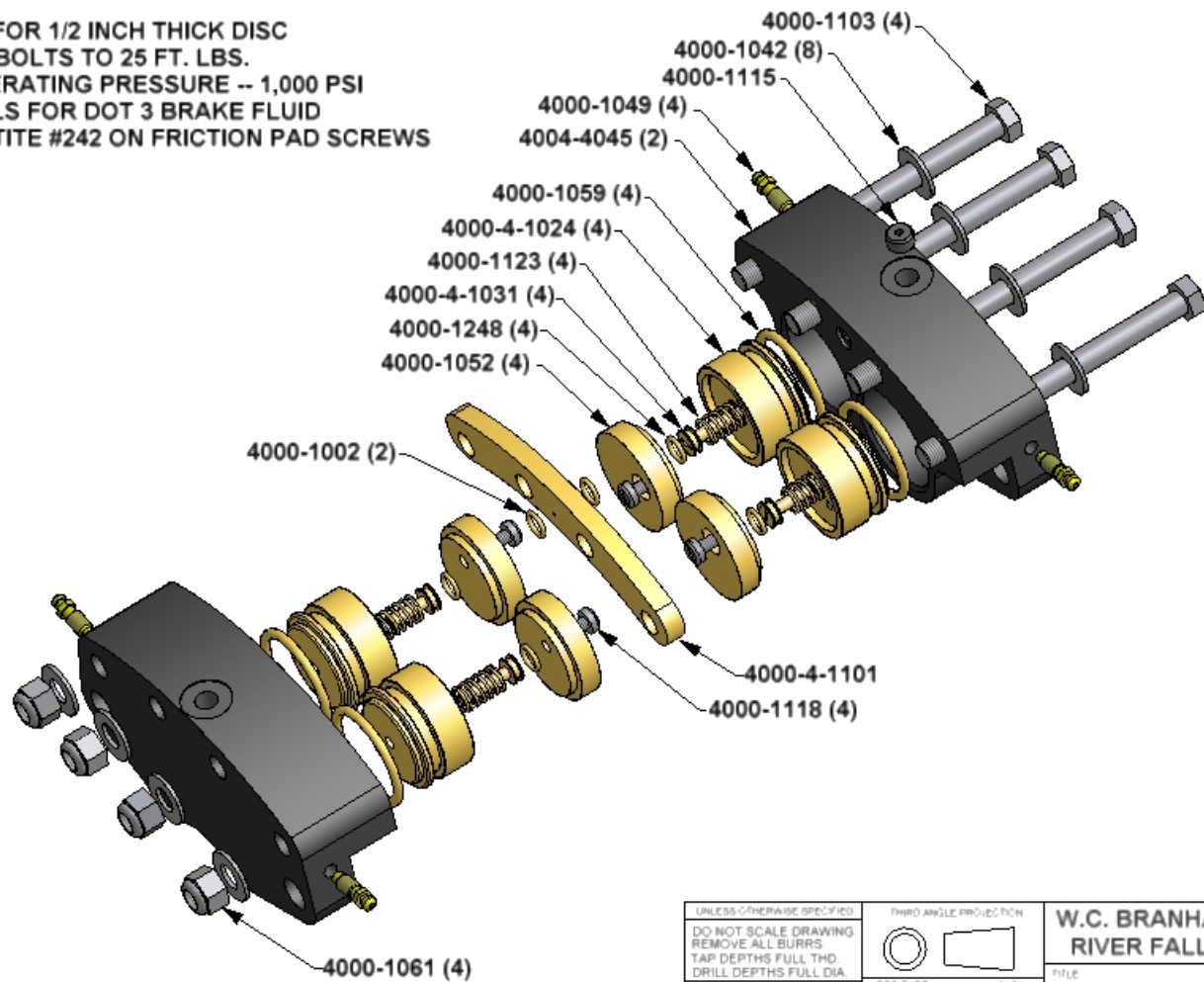


- \* SPACER FOR 1/2 INCH THICK DISC
- \* TORQUE BOLTS TO 25 FT. LBS.
- \* MAX. OPERATING PRESSURE -- 1,000 PSI
- \* EPR SEALS FOR DOT 3 BRAKE FLUID
- \* USE LOCTITE #242 ON FRICTION PAD SCREWS



UNLESS OTHERWISE SPECIFIED DO NOT SCALE DRAWING REMOVE ALL BURRS TAP DEPTHS FULL THD DRILL DEPTHS FULL DIA	THIRD ANGLE PROJECTION	W.C. BRANHAM INC. RIVER FALLS, WI.
TOLERANCES 2 PLACE $\pm .010$ 3 PLACE $\pm .005$	DESIGNER WCB 11/20/02	H200DERG CALIPER
THREES EXTERNAL CLASS 2A INTERNAL CLASS 2B	CHECKER	
	SCALE	DRAWING NO.
	CLASS	4004-0111
		REVISION