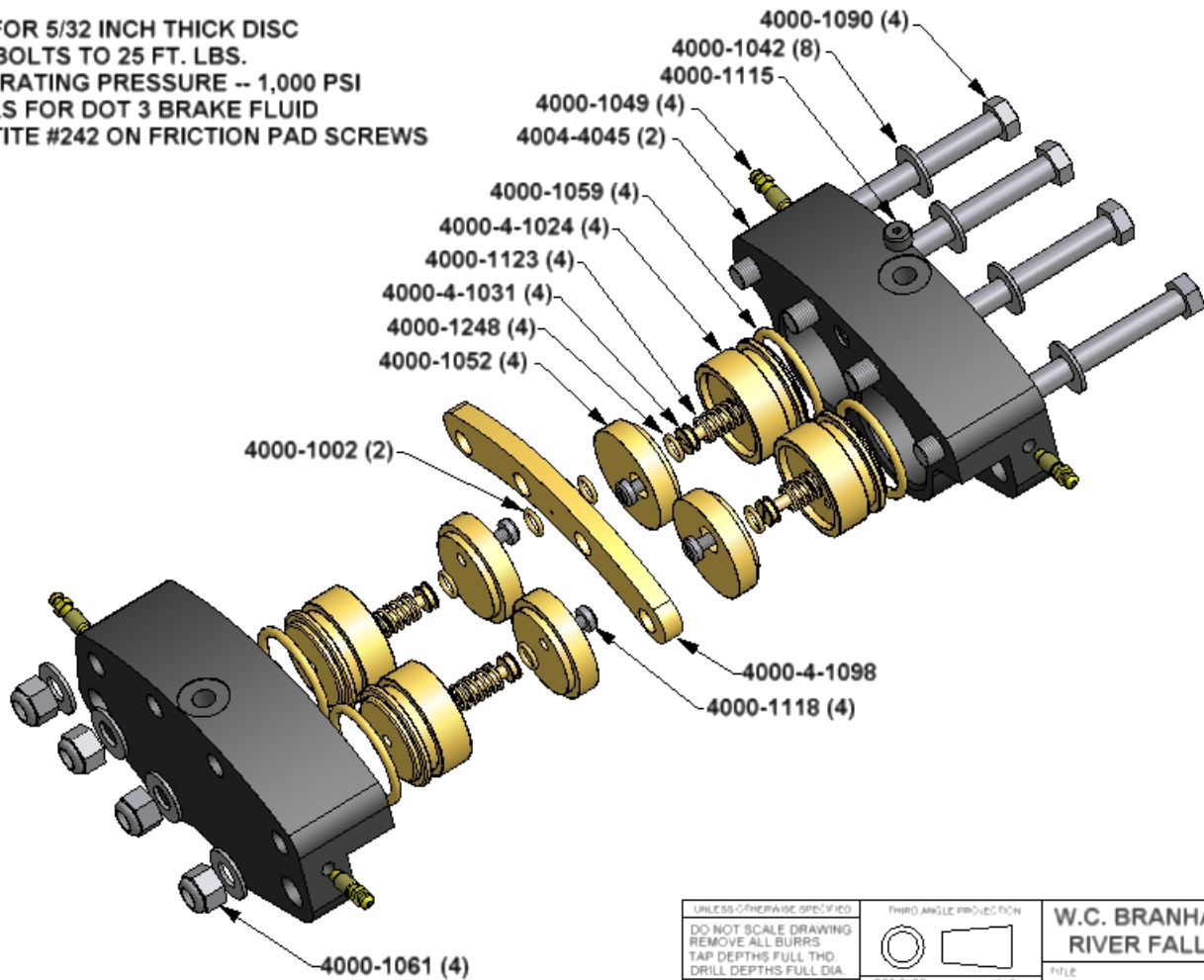


- * SPACER FOR 5/32 INCH THICK DISC
- * TORQUE BOLTS TO 25 FT. LBS.
- * MAX. OPERATING PRESSURE -- 1,000 PSI
- * EPR SEALS FOR DOT 3 BRAKE FLUID
- * USE LOCTITE #242 ON FRICTION PAD SCREWS



UNLESS OTHERWISE SPECIFIED

DO NOT SCALE DRAWING
REMOVE ALL BURRS
TAP DEPTHS FULL THD
DRILL DEPTHS FULL DIA

TOLERANCES
2 PLACE $\pm .010$
3 PLACE $\pm .005$

THREADS
EXTERNAL CLASS 2A
INTERNAL CLASS 2B

THIRD ANGLE PROJECTION



DESIGNER
WCB 11/20/02

CHECKER
SCALE
CLASS

W.C. BRANHAM INC
RIVER FALLS, WI.

TITLE
H200DARG CALIPER

DRAWING NO.
4004-0108

0/02